

# VAC BSNK C MT

**VALUE Tap Range**  
Club Budget Monobloc Sink Mixer Chrome With Metal Heads



## Specification

<b>Product Type:</b>	Kitchen taps
<b>Main Construction Material:</b>	Brass
<b>Mount Type:</b>	Deck Mounted
<b>Handle Type:</b>	Club Handles
<b>Connection Inlet:</b>	15mm copper tails
<b>Connection Outlet:</b>	Open
<b>Number of Tap Holes:</b>	1
<b>Valve/Cartridge Type:</b>	1/2" Standrad Valve
<b>Plumbing System Requirements:</b>	Suitable for all plumbing systems
<b>Minimum Dynamic Pressure:</b>	0.2 Bar
<b>Maximum Dynamic Pressure:</b>	7.0 Bar
<b>Maximum Hot Water Temperature: °C</b>	60
<b>Maximum Static Pressure: (bar)</b>	10
<b>Flow Type:</b>	Dual Flow
<b>Isolation Included:</b>	No

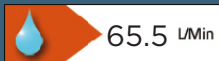
## Features:

- Dual flow prevents hot water entering the mains supply
- Metal handles

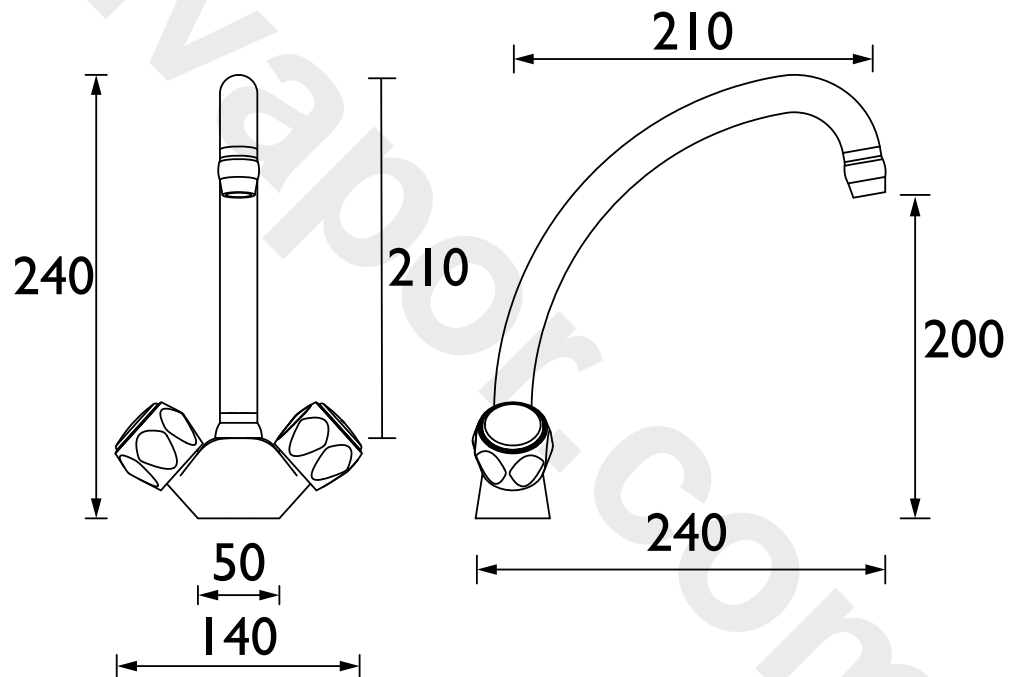
## Product Certifications:



WRAS Cert. Number: 2003905  
WRAS Expiry Date: 31/03/2025



## Dimensions (measurements in mm)



## Flow Rates (l/min)

System Pressure (bar)	0.2	0.5	1	2	3	5
VAC BSNK C MT	16.91	26.74	37.82	53.48	65.5	84.56

For more products, visit our website:  
<http://www.bristan.com>



**TECHNICAL  
DATA  
SHEET**



**BRISTAN**

D8